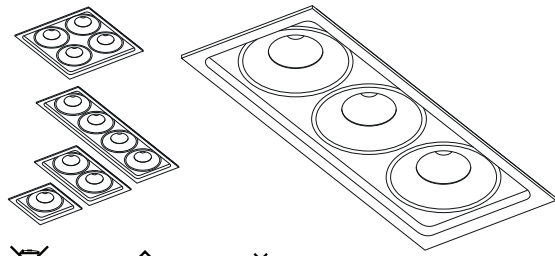


Titan
1-Way/2-Way/3-Way/4-Way/4-Way Square



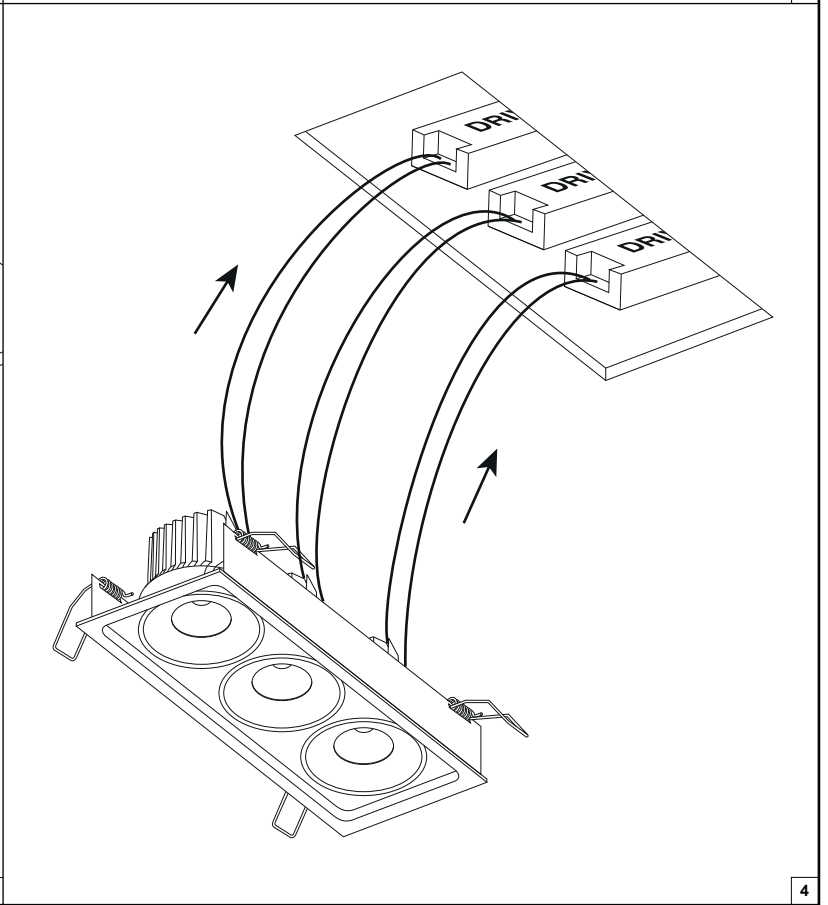
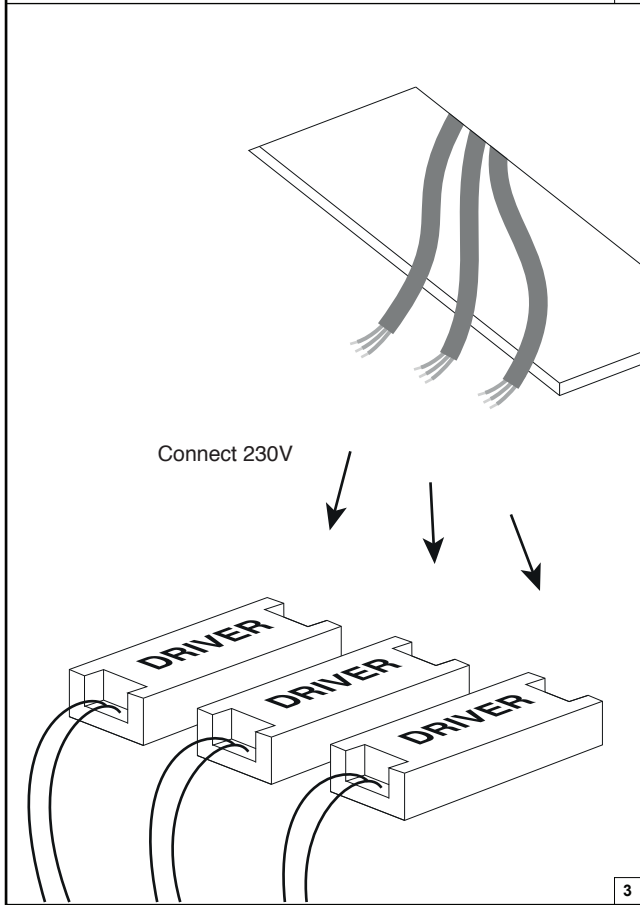
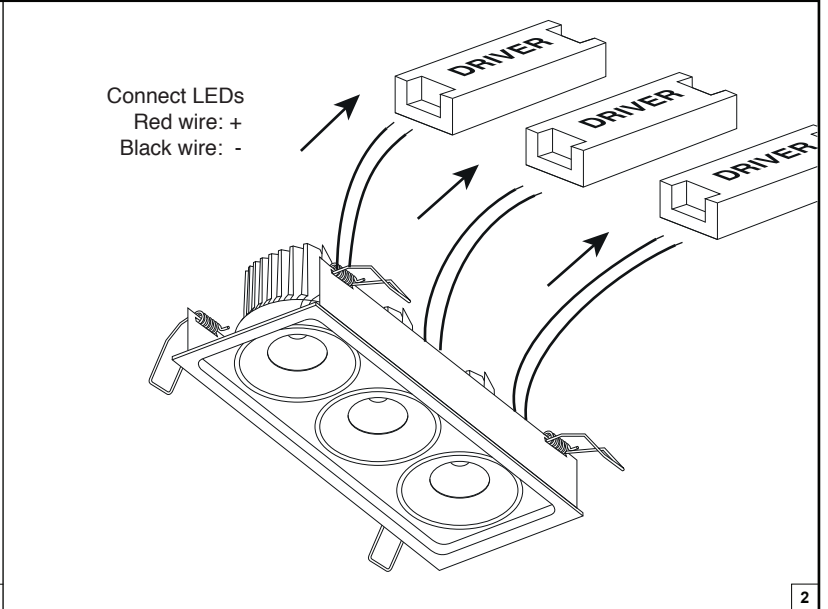
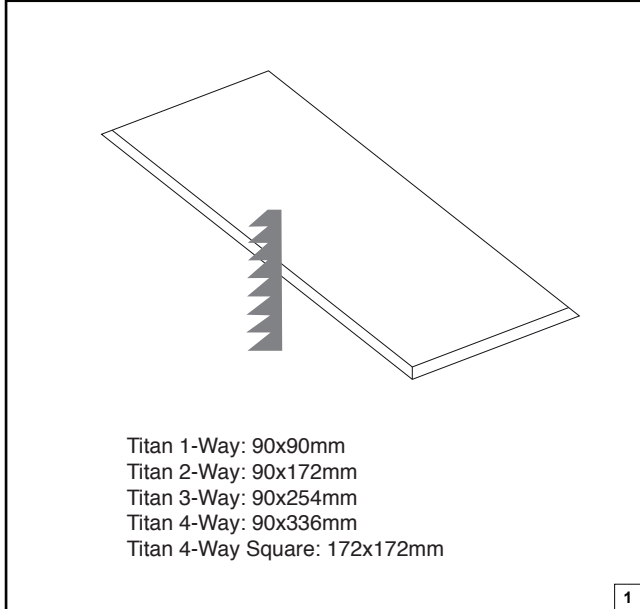
- Instructions:**
1. Drill a hole in the ceiling
 2. Connect LEDs to driver
 3. Connect 230V to driver
 4. Insert drivers and luminaire into ceiling



Forward voltages and nominal drive currents are mentioned on the label supplied with the product or can be found in the technical datasheet of the product.

Always use the correct driver.
Always install the driver according to the wiring schematics supplied with the driver.
Always check if multi-current drivers are set to the correct output current.

Doxis Lighting Factory cannot be held responsible for damage caused by using the wrong driver.



⚠ Attention!!

Always follow the instructions described in this document and store this document for future reference.

Do not touch LED surface. Warranty void if LED contact has taken place.
Only to be installed by a qualified electrician.

Always make sure power is completely switched off when working on luminaire.

Doxis Lighting Factory NV cannot be held responsible for any damage caused by incorrect installation, modification, reparation or incorrect application/usage of the product.

Air circulation notice:
Do not topload with insulation materials

